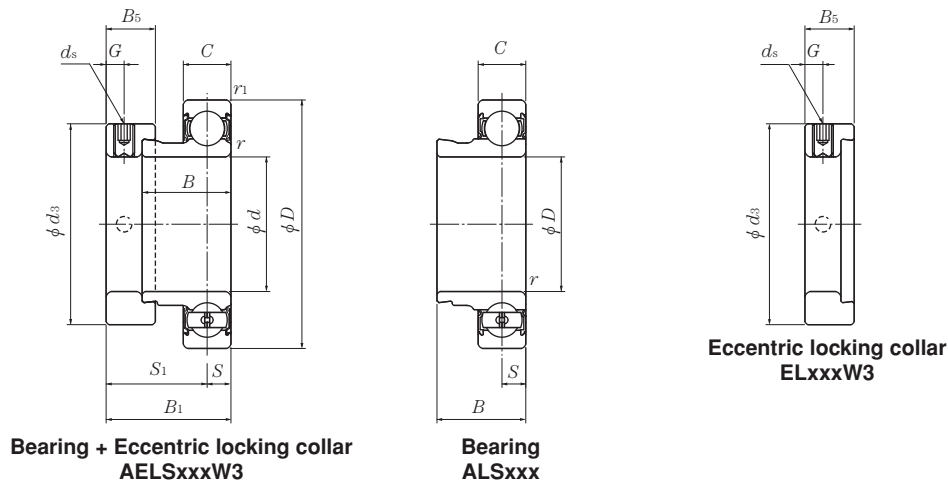


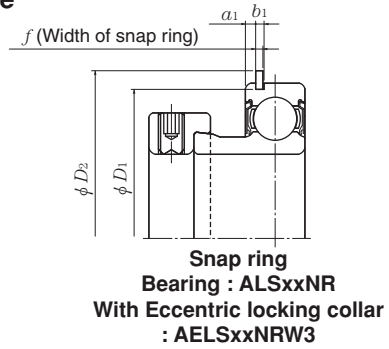
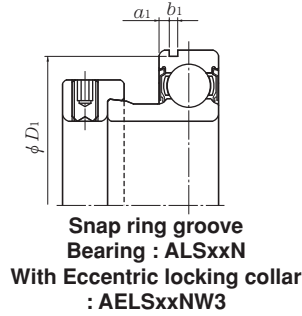
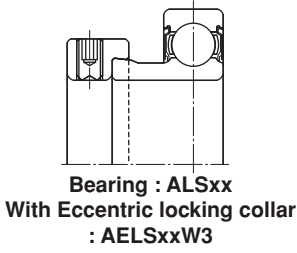
Ball bearings
Eccentric locking collar type



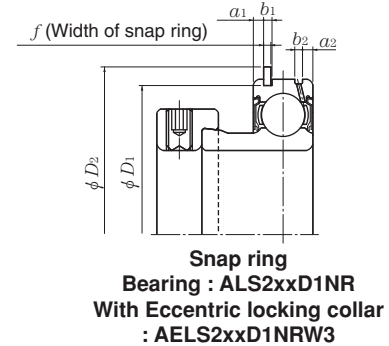
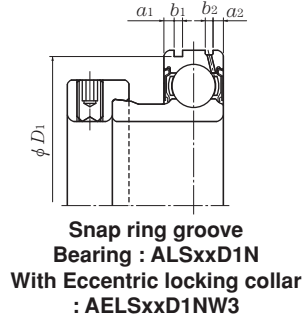
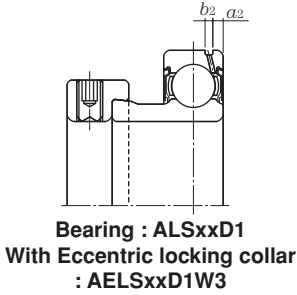
Shaft dia. mm inch	Bearing number ¹⁾	Nominal dimensions										
		<i>d</i>	<i>D</i>	<i>B</i> ₁	<i>B</i>	<i>C</i>	<i>r</i> _s mm inch	<i>r</i> _{1s} mm inch	<i>S</i>	<i>S</i> ₁	<i>G</i>	<i>ds</i>
12 1/2	AELS201NW3 AELS201-008NW3	12 0.5000	40 1.5748	28.6 1.126	19 0.7480	12 0.4724	0.6 0.024	0.6 0.024	6.5 0.256	22.1 0.870	4.8 0.189	M6 × 0.75 1/4-28UNF
15 9/16 5/8	AELS202NW3 AELS202-009NW3 AELS202-010NW3	15 0.5625 0.6250	40 1.5748	28.6 1.126	19 0.7480	12 0.4724	0.6 0.024	0.6 0.024	6.5 0.256	22.1 0.870	4.8 0.189	M6 × 0.75 1/4-28UNF
17 1 1/16	AELS203NW3 AELS203-011NW3	17 0.6875	40 1.5748	28.6 1.126	19 0.7480	12 0.4724	0.6 0.024	0.6 0.024	6.5 0.256	22.1 0.870	4.8 0.189	M6 × 0.75 1/4-28UNF
20 3/4	AELS204NW3 AELS204-012NW3	20 0.7500	47 1.8504	31 1.220	21.5 0.8465	14 0.5512	1 0.039	0.6 0.024	7.5 0.295	23.5 0.925	4.8 0.189	M6 × 0.75 1/4-28UNF
25 1 3/16 7/8 1 5/16 1	AELS205NW3 AELS205-013NW3 AELS205-014NW3 AELS205-015NW3 AELS205-100NW3	25 0.8125 0.8750 0.9375 1.0000	52 2.0472	31 1.220	21.5 0.8465	15 0.5906	1 0.039	0.6 0.024	7.5 0.295	23.5 0.925	4.8 0.189	M6 × 0.75 1/4-28UNF
30 1 1/16 1 1/8 1 3/16 1 1/4	AELS206NW3 AELS206-101NW3 AELS206-102NW3 AELS206-103NW3 AELS206-104NW3	30 1.0625 1.1250 1.1875 1.2500	62 2.4409	35.7 1.406	23.8 0.9370	16 0.6299	1 0.039	0.6 0.024	9 0.354	26.7 1.051	6 0.236	M8 × 1 5/16-24UNF
35 1 1/4 1 5/16 1 7/8 1 7/16	AELS207NW3 AELS207-104NW3 AELS207-105NW3 AELS207-106NW3 AELS207-107NW3	35 1.2500 1.3125 1.3750 1.4375	72 2.8346	38.9 1.531	25.4 1.0000	17 0.6693	1.5 0.059	0.6 0.024	9.5 0.374	29.4 1.157	6.8 0.268	M10 × 1.25 3/8-24UNF

Remarks: 1) If relubricatable type is needed, please order with suffix "D1".
2) For inch series bearings, the *f*₀ factor for calculating equivalent radial load is the same as the metric series.

Maintenance free type

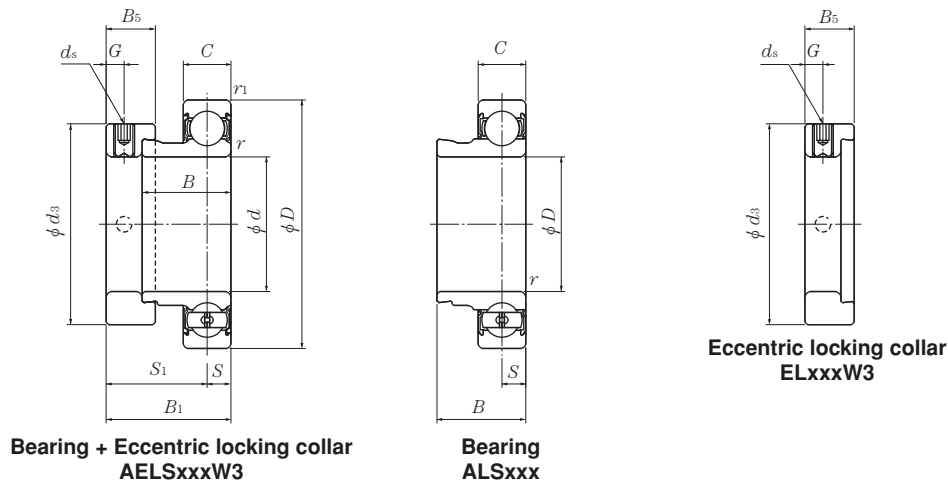


Lubricatable type



Nominal dimensions									Basic load ratings		Factor ⁽²⁾ <i>f</i> ₀	Mass (approx.) kg lb
<i>d</i> ₃	<i>D</i> ₁	<i>a</i> ₁	<i>b</i> ₁	mm <i>B</i> ₅	inch <i>f</i>	<i>a</i> ₂	<i>b</i> ₂	<i>D</i> _{2max}	N dynamic <i>C</i> _r	lbf static <i>C</i> _{or}		
29	38.1	1.98	1.5	13.6	1.07	1.9	2.0	44.6	9 600	4 600	12.8	0.12
1.142	1.500	0.078	0.059	0.535	0.042	0.075	0.079	1.756	2 160	1 030		0.26
29	38.1	1.98	1.5	13.6	1.07	1.9	2.0	44.6	9 600	4 600	12.8	0.11
1.142	1.500	0.078	0.059	0.535	0.042	0.075	0.079	1.756	2 160	1 030		0.26
29	38.1	1.98	1.5	13.6	1.07	1.9	2.0	44.6	9 600	4 600	12.8	0.10
1.142	1.500	0.078	0.059	0.535	0.042	0.075	0.079	1.756	2 160	1 030		0.23
33	44.6	2.38	1.5	13.5	1.07	2.1	2.0	52.7	12 800	6 650	13.2	0.17
1.299	1.756	0.094	0.059	0.531	0.042	0.083	0.079	2.075	2 890	1 500		0.35
38	49.73	2.38	1.5	13.5	1.07	2.6	2.0	57.9	14 000	7 850	13.9	0.20
1.496	1.958	0.094	0.059	0.531	0.042	0.102	0.079	2.280	3 150	1 770		0.51
44.5	59.61	3.18	2.05	15.9	1.65	2.1	2.5	67.7	19 500	11 300	13.8	0.48
1.752	2.347	0.125	0.081	0.626	0.065	0.083	0.098	2.665	4 400	2 540		0.45
55.5	68.81	3.18	2.05	17.5	1.65	2.1	3.0	78.6	25 700	15 300	13.8	0.42
2.185	2.709	0.125	0.081	0.689	0.065	0.083	0.118	3.094	5 750	3 450		0.74
												0.73
												0.66
												0.61
												0.49
												1.15
												1.10
												1.04
												0.98

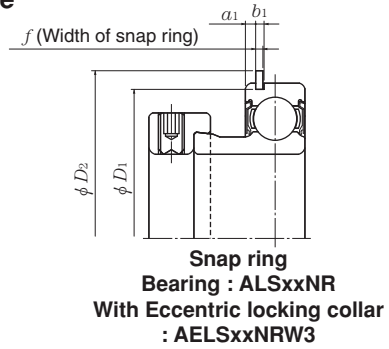
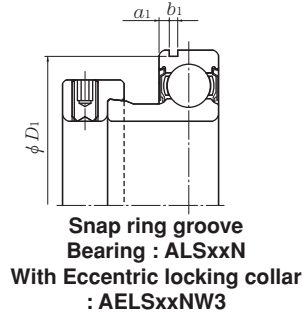
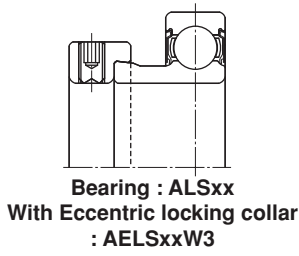
**Ball bearings
Eccentric locking collar type**



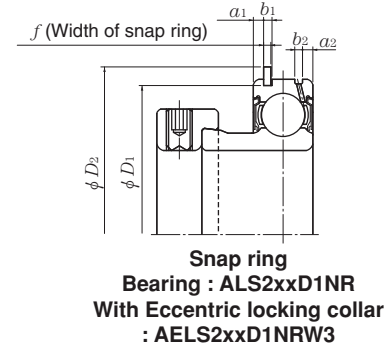
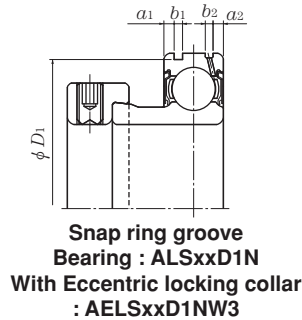
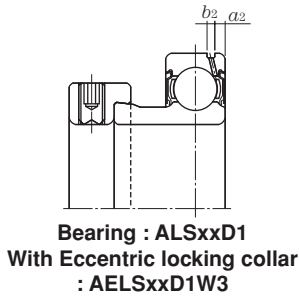
Shaft dia. mm inch	Bearing number ¹⁾	Nominal dimensions										
		<i>d</i>	<i>D</i>	<i>B</i> ₁	<i>B</i>	<i>C</i>	<i>r</i> _s mm min.	<i>r</i> _{1s} inch min.	<i>S</i>	<i>S</i> ₁	<i>G</i>	<i>ds</i>
40 1 1/2 1 9/16	AELS208NW3	40	80	43.7	30.2	18	1.5	0.6	11	32.7	6.8	M10 × 1.25
	AELS208-108NW3	1.5000	3.1496	1.720	1.1890	0.7087	0.059	0.024	0.433	1.287	0.268	3/8-24UNF
	AELS208-109NW3	1.5625										
45 1 5/8 1 11/16 1 3/4	AELS209NW3	45	85	43.7	30.2	19	1.5	1.5	11	32.7	6.8	M10 × 1.25
	AELS209-110NW3	1.6250										
	AELS209-111NW3	1.6875	3.3465	1.720	1.1890	0.7480	0.059	0.059	0.433	1.287	0.268	3/8-24UNF
	AELS209-112NW3	1.7500										
50 1 13/16 1 7/8 1 15/16 2	AELS210NW3	50	90	43.7	30.2	20	1.5	1.5	11	32.7	6.8	M10 × 1.25
	AELS210-113NW3	1.8125										
	AELS210-114NW3	1.8750	3.5433	1.720	1.1890	0.7874	0.059	0.059	0.433	1.287	0.268	3/8-24UNF
	AELS210-115NW3	1.9375										
	AELS210-200NW3	2.0000										
55 2 2 1/16 2 1/8 2 3/16	AELS211NW3	55	100	48.4	32.5	21	2	1.5	12	36.4	8	M10 × 1.25
	AELS211-200NW3	2.0000										
	AELS211-201NW3	2.0625	3.9370	1.906	1.2795	0.8268	0.079	0.059	0.472	1.433	0.315	3/8-24UNF
	AELS211-202NW3	2.1250										
	AELS211-203NW3	2.1875										
60 2 1/4 2 5/16 2 3/8 2 7/16	AELS212NW3	60	110	53.1	37.2	22	2	1.5	13.5	39.6	8	M10 × 1.25
	AELS212-204NW3	2.2500										
	AELS212-205NW3	2.3125	4.3307	2.091	1.4646	0.8661	0.079	0.059	0.531	1.559	0.315	3/8-24UNF
	AELS212-206NW3	2.3750										
	AELS212-207NW3	2.4375										

Remarks: 1) If relubricatable type is needed, please order with suffix "D1".
2) For inch series bearings, the *f*₀ factor for calculating equivalent radial load is the same as the metric series.

Maintenance free type



Lubricatable type



Nominal dimensions									Basic load ratings		Factor ²⁾ <i>f</i> ₀	Mass (approx.) kg lb
<i>d</i> ₃	<i>D</i> ₁	<i>a</i> ₁	<i>b</i> ₁	mm <i>B</i> ₅	inch <i>f</i>	<i>a</i> ₂	<i>b</i> ₂	<i>D</i> _{2max}	N dynamic <i>C</i> _r	lbf static <i>C</i> _{or}		
60	76.81	3.18	2.05	18.3	1.65	2.3	3.0	86.6	29 100	17 800	14.0	0.66
2.362	3.024	0.125	0.081	0.720	0.065	0.091	0.118	3.409	6 550	4 000		1.41
63.5	81.81	3.18	2.05	18.3	1.65	2.6	3.0	91.6	32 500	20 400	14.1	0.73
2.500	3.221	0.125	0.081	0.720	0.065	0.102	0.118	3.606	7 350	4 600		1.81
69.5	86.79	3.18	2.85	18.3	2.41	3.5	3.0	96.5	35 000	23 200	14.4	0.74
2.736	3.417	0.125	0.112	0.720	0.095	0.138	0.118	3.799	7 900	5 200		1.85
76	96.8	3.18	2.85	20.7	2.41	3.5	3.0	106.5	43 500	29 200	14.3	1.00
2.992	3.811	0.125	0.112	0.815	0.095	0.138	0.118	4.193	9 750	6 550		2.49
84	106.81	3.18	2.85	22.3	2.41	3.5	3.0	116.6	52 500	36 000	14.3	1.33
3.307	4.205	0.125	0.112	0.878	0.095	0.138	0.118	4.591	11 800	8 150		3.17
												3.04
												2.91
												2.78