

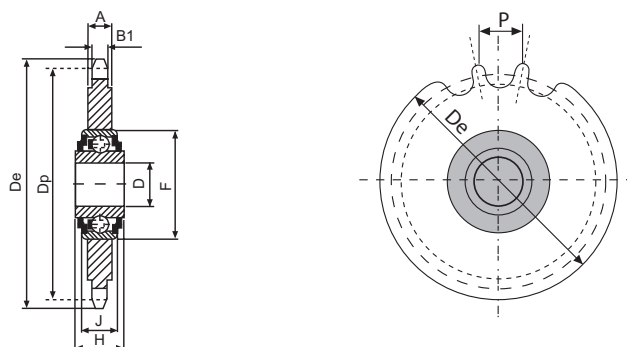
**Pignons tendeurs sur roulement  
pour chaîne de transmission DIN 8187**

**Kettingspanwiel met lager  
voor rollenkettingen DIN 8187**

**Ball bearing idler sprockets  
for roller chains DIN 8187**

**Kettenspannräder mit Kugellager  
für Rollenketten DIN 8187**

Pignons tendeurs avec roulement	pour chaînes de transmission	DIN 8187      ISO/R606
Kettingspanwiel met lager	voor rollenkettingen	
Ball bearing idler sprockets	for rollerchains	
Kettenspannräder mit Kugellager	für Rollenketten	



Z	P	De	Dp	B1	A	D	F	H	J	kg	art. n°	
23	8x1/8"	62.0	58.75	2.8	7.0	16	+0.130 +0.260	40	18.3	12	0.13	105RB106021
21	3/8"x7/32"	68.0	63.91	5.3	7.0	16	+0.130 +0.260	40	18.3	12	0.15	
18	1/2"x1/8"	78.9	73.14	3.0	7.0	16	+0.130 +0.260	40	18.3	12	0.18	
18	1/2"x3/16"	78.9	73.14	4.5	7.0	16	+0.130 +0.260	40	18.3	12	0.20	
16	1/2"x5/16"	69.5	65.10	7.2	7.2	16	+0.130 +0.260	40	18.3	12	0.17	105RB108016
18	1/2"x5/16"	77.8	73.14	7.2	7.2	16	+0.130 +0.260	40	18.3	12	0.22	105RB108018
14	5/8"x3/8"	78.0	71.34	9.1	9.1	16	+0.130 +0.260	40	18.3	12	0.23	105RB110014
15	5/8"x3/8"	83.0	76.36	9.1	9.1	16	+0.130 +0.260	40	18.3	12	0.27	105RB110017
17	5/8"x3/8"	93.0	86.30	9.1	9.1	16	+0.130 +0.260	40	18.3	12	0.36	105RB110017
13	3/4"x7/16"	87.5	79.59	11.1	11.1	16	+0.130 +0.260	40	18.3	12	0.34	105RB112013
15	3/4"x7/16"	99.8	91.63	11.1	11.1	16	+0.130 +0.260	40	18.3	12	0.47	105RB112015
12	1"x17.02"	109.0	98.14	16.2	16.2	20	+0 +0.010	47	17.7	14	0.72	105RB116012
13	1"x1/4x3/4"	147.8	132.65	18.5	18.5	25	+0 +0.010	52	21.0	15	1.64	105RB120013

!! remarque / opmerking / observation / Bemerkung ----> pg 0 !!