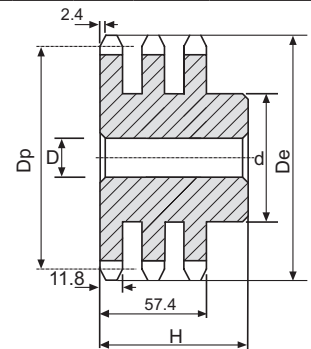
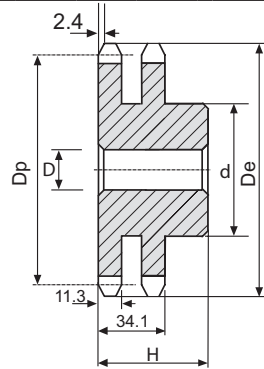
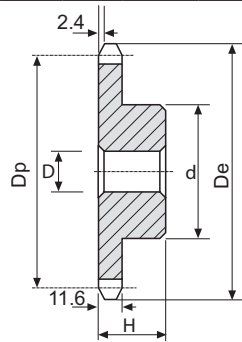


3/4" x 1/2" (ØR 11.91mm) ASA 60-1-2-3

Pignons ASA à moyeu préalésé	pour chaînes de transmission
ASA kettingwielen vorgeboord	voor rollenkettingen
Sprockets ASA prebored	for roller chains
Kettenräder ASA mit Vorbohrung	für Rollenketten

DIN 8188 ISO/R606



SIMPLEX

DUPLEX

TRIPLEX

Z	De	Dp	d	D	H	kg	art. n°	d	D	H	kg	art. n°	d	D	H	kg	art. n°
10	71.54	61.64	42	12	30	0.38	105A112010	42	12	45	0.58	105A212010					
11	77.51	67.61	46	16	35	0.50	105A112011	47	16	50	0.80	105A212011					
12	83.49	73.60	52	16	35	0.64	105A112012	53	16	50	1.01	105A212012	53	20	70		105A312012
13	89.49	79.59	58	16	35	0.80	105A112013	59	16	50	1.24	105A212013	59	20	70		105A312013
14	95.50	85.61	64	16	35	0.97	105A112014	65	16	50	1.45	105A212014	65	20	70		105A312014
15	101.52	91.63	70	16	35	1.16	105A112015	71	16	50	1.73	105A212015	71	20	70		105A312015
16	107.54	97.65	75	16	35	1.34	105A112016	77	20	50	2.03	105A212016	77	20	70		105A312016
17	113.56	103.67	80	16	35	1.53	105A112017	83	20	50	2.35	105A212017	83	20	70		105A312017
18	119.59	109.71	80	16	35	1.61	105A112018	89	20	50	2.70	105A212018	89	20	70		105A312018
19	125.63	115.75	80	16	35	1.70	105A112019	95	20	50	3.06	105A212019	95	20	70		105A312019
20	131.67	121.78	80	16	35	1.84	105A112020	100	20	50	3.45	105A212020	100	20	70		105A312020
21	137.71	127.82	90	20	40	2.35	105A112021	100	20	50	3.69	105A212021	100	20	70		105A312021
22	143.75	133.86	90	20	40	2.45	105A112022	100	20	50	3.96	105A212022	100	20	70		105A312022
23	149.79	139.90	90	20	40	2.56	105A112023	110	20	50	4.50	105A212023	110	20	70		105A312023
24	155.84	145.94	90	20	40	2.67	105A112024	110	20	50	4.81	105A212024	110	20	70		105A312024
25	161.88	152.00	90	20	40	2.79	105A112025	120	20	50	5.40	105A212025	120	20	70		105A312025
26	167.93	158.04	95	20	40	3.08	105A112026	120	20	50	5.73	105A212026					
27	173.98	164.09	95	20	40	3.21	105A112027	120	20	50	6.03	105A212027					
28	180.03	170.13	95	20	40	3.34	105A112028	120	20	50	6.43	105A212028					
30	192.14	182.25	95	20	40	3.62	105A112029	120	20	50	7.18	105A212029					

!! remarque / opmerking / observation / Bemerkung ----> pg 0 !!

Mat C43